

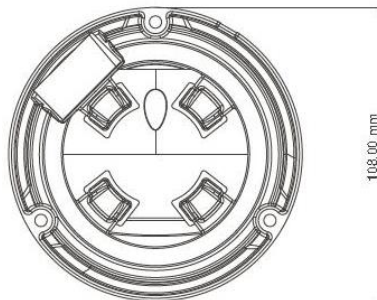
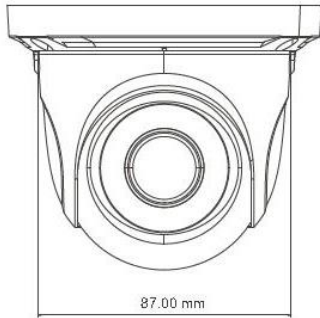
XC3310 – 1080p 3in1 IR Dome Camera



Features

- 2 Megapixel CMOS Sensor
- Video output selectable :
1080p AHD or
1080p TVI or
700TVL Analog
- 3.6mm Fixed Lens
- 24pcs IR LEDs, 0 Lux up to 15m
- 3D-DNR, **DWDR**, DSS, HLM
- TDN (True Day & Night)
- **UTC** OSD control
- English / Chinese OSD menu
- **Aluminum Casing, IP66**
- Suitable for Wall / Ceiling Mount

DIMENSION



SPECIFICATION

Model	XC3310
Image Sensor	1/2.9" 2MP CMOS Sensor
Resolution	1920x1080 Pixels
Shuttle	1/25s ~ 1/100,000s
Lens	M12 3.6mm Fixed Lens
Video Output	1080p@25fps AHD/TVI or Analog
Day & Night	Filter Change or True Day&Night (TDN)
Min. Illumination	0 Lux up to 15m
LEDs	24nos ϕ 5 850nm IR LEDs
S/N Ratio	>52 DB
Casing	Aluminum with Epoxy Powder Coating
W. Environment	-10° ~ +55°C, Non-Condensing
Power	12VDC, Max. 400mA
Dimension (mm)	87mm(ϕ) x 102mm(H), 350g