

XC2333M – 1080p 4in1 Weatherproof Motorized IR Camera



1080p 4in1

30m IR

UTC

300m by RG6

Defog

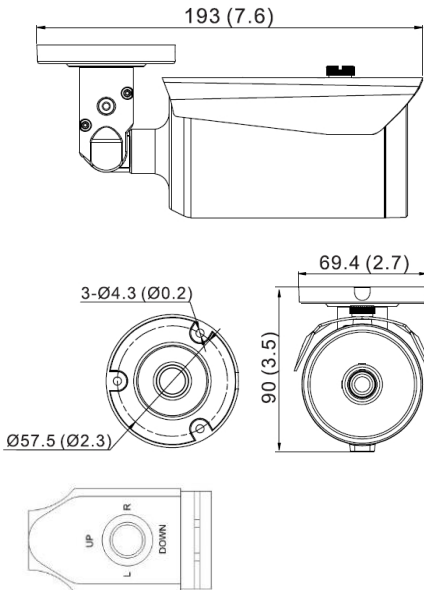
HLM

DWDR

Features

- 2 Megapixel CMOS Sensor
- Video output selectable :
1080p AHD or
1080p TVI or
1080p CVI or
700TVL Analog
- **2.8-11mm Motorized** Zoom Lens with **Auto Focus**
- 3D-DNR, **Defog**, **DWDR**, DSS, HLM
- TDN (True Day & Night)
- **UTC** & **Joystick** OSD control
- 40pcs IR LED, 0 Lux up to 30m
- **Aluminum Casing**
- Suitable for Wall/Ceiling Mount

DIMENSION



Press Centre for OSD menu
 Switch to CVBS: Press Left for 5s
 Switch to 1080P AHD: Press Right for 5s
 Switch to 1080P CVI: Press UP for 5s
 Switch to 1080P TVI: Press Dow for 5s

SPECIFICATION

Model	XC2333M
Image Sensor	1/2.7" 2.1MP CMOS Sensor
Resolution	1920x1080 Pixels
Shuttle	1/25s ~ 1/100,000s
Lens	2.8-11mm Motorized Lens
Video Output	1080p@25fps AHD/TVI/CVI or Analog
Min. Illumination	0 Lux up to 30m Indoor
LEDs	40nos ϕ 5 850nm IR LEDs
S/N Ratio	>52 DB
Casing	Aluminum with Epoxy Powder Coating
W. Environment	-10° ~ +55°C, Non-Condensing
Power	12VDC, Max. 450mA
Dimension (mm)	90mm(ϕ) x 194mm(L), 530g